

# TRAFFIC CRASH REPORT

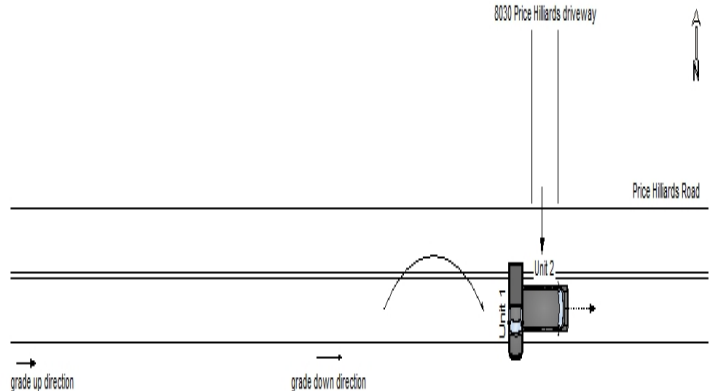
\*DENOTES MANDATORY FIELD FOR SUPPLEMENT REPORT

LOCAL REPORT NUMBER \*

49-0479-49

<input checked="" type="checkbox"/> PHOTOS TAKEN <input type="checkbox"/> SECONDARY CRASH		<input checked="" type="checkbox"/> OH -2 <input type="checkbox"/> OH -1P <input type="checkbox"/> PRIVATE PROPERTY		LOCAL INFORMATION P20112500001542 REPORTING AGENCY NAME * Ohio State Highway Patrol		NCIC * OHP49		HIT/SKIP 1 - SOLVED 2 - UNSOLVED		NUMBER OF UNITS 2		UNIT IN ERROR 98 - ANIMAL 99 - UNKNOWN			
COUNTY* 49		LOCALITY* 1 - CITY 2 - VILLAGE 3 - TOWNSHIP 3		LOCATION: CITY, VILLAGE, TOWNSHIP* Canaan (Township of)		CRASH DATE / TIME* 11/25/2020 11:29		CRASH SEVERITY 1 - FATAL 2 - SERIOUS INJURY SUSPECTED 3 - MINOR INJURY SUSPECTED 4 - INJURY POSSIBLE 5 - PROPERTY DAMAGE ONLY							
ROUTE TYPE CR		ROUTE NUMBER 32		PREFIX 1 - NORTH 2 - SOUTH 3 - EAST 4 - WEST		LOCATION ROAD NAME		ROAD TYPE		LATITUDE DECIMAL DEGREES 40.043404		LONGITUDE DECIMAL DEGREES -83.263400			
ROUTE TYPE CR		ROUTE NUMBER 7		PREFIX 1 - NORTH 2 - SOUTH 3 - EAST 4 - WEST		REFERENCE ROAD NAME (ROAD, MILEPOST, HOUSE #)		ROAD TYPE		INTERSECTION RELATED <input type="checkbox"/> WITHIN INTERSECTION OR ON APPROACH <input type="checkbox"/> WITHIN INTERCHANGE AREA		NUMBER OF APPROACHES			
REFERENCE POINT 1 - INTERSECTION 2 - MILE POST 3 - HOUSE #		DIRECTION FROM REFERENCE 1 - NORTH 2 - SOUTH 3 - EAST 4 - WEST		ROUTE TYPE IR - INTERSTATE ROUTE (TP) US - FEDERAL US ROUTE SR - STATE ROUTE CR - NUMBERED COUNTY ROUTE TR - NUMBERED TOWNSHIP ROUTE		ROAD TYPE AL - ALLEY AV - AVENUE BL - BOULEVARD CR - CIRCLE CT - COURT DR - DRIVE HE - HEIGHTS		ROAD TYPE HW - HIGHWAY LA - LANE MP - MILEPOST OV - OVAL PK - PARKWAY PI - PIKE PL - PLACE		RD - ROAD SQ - SQUARE ST - STREET TE - TERRACE TL - TRAIL WA - WAY		INTERSECTION RELATED <input type="checkbox"/> WITHIN INTERSECTION OR ON APPROACH <input type="checkbox"/> WITHIN INTERCHANGE AREA		NUMBER OF APPROACHES	
DISTANCE FROM REFERENCE 0.20		DISTANCE UNIT OF MEASURE 1 - MILES 2 - FEET 3 - YARDS		ROUTE TYPE CR - NUMBERED COUNTY ROUTE TR - NUMBERED TOWNSHIP ROUTE		ROAD TYPE AL - ALLEY AV - AVENUE BL - BOULEVARD CR - CIRCLE CT - COURT DR - DRIVE HE - HEIGHTS		ROAD TYPE HW - HIGHWAY LA - LANE MP - MILEPOST OV - OVAL PK - PARKWAY PI - PIKE PL - PLACE		RD - ROAD SQ - SQUARE ST - STREET TE - TERRACE TL - TRAIL WA - WAY		INTERSECTION RELATED <input type="checkbox"/> WITHIN INTERSECTION OR ON APPROACH <input type="checkbox"/> WITHIN INTERCHANGE AREA		NUMBER OF APPROACHES	
LOCATION OF FIRST HARMFUL EVENT 1 - ON ROADWAY 2 - ON SHOULDER 3 - IN MEDIAN 4 - ON ROADSIDE 5 - ON GORE 6 - OUTSIDE TRAFFIC WAY 7 - ON RAMP 8 - OFF RAMP		9 - CROSSOVER 10 - DRIVEWAY/ALLEY ACCESS 11 - RAILWAY GRADE CROSSING 12 - SHARED USE PATHS OR TRAILS 13 - BIKE LANE 14 - TOLL BOOTH 99 - OTHER / UNKNOWN		MANNER OF CRASH COLLISION/IMPACT 1 - NOT COLLISION BETWEEN TWO MOTOR VEHICLES IN TRANSPORT 2 - REAR-END 3 - HEAD-ON		4 - REAR-TO-REAR 5 - BACKING 6 - ANGLE 7 - SIDESWIPE, SAME DIRECTION 8 - SIDESWIPE, OPPOSITE DIRECTION 9 - OTHER / UNKNOWN		DIRECTION OF TRAVEL 1 - NORTH 2 - SOUTH 3 - EAST 4 - WEST		MEDIAN TYPE 1 - DIVIDED FLUSH MEDIAN (< 4 FEET) 2 - DIVIDED FLUSH MEDIAN (≥ 4 FEET) 3 - DIVIDED, DEPRESSED MEDIAN 4 - DIVIDED, RAISED MEDIAN (ANY TYPE) 9 - OTHER / UNKNOWN					
<input type="checkbox"/> WORK ZONE RELATED <input type="checkbox"/> WORKERS PRESENT <input type="checkbox"/> LAW ENFORCEMENT PRESENT <input type="checkbox"/> ACTIVE SCHOOL ZONE		WORK ZONE TYPE 1 - LANE CLOSURE 2 - LANE SHIFT/ CROSSOVER 3 - WORK ON SHOULDER OR MEDIAN 4 - INTERMITTENT OR MOVING WORK 5 - OTHER		LOCATION OF CRASH IN WORK ZONE 1 - BEFORE THE 1ST WORK ZONE WARNING SIGN 2 - ADVANCE WARNING AREA 3 - TRANSITION AREA 4 - ACTIVITY AREA 5 - TERMINATION AREA		CONTOUR 1 - STRAIGHT LEVEL 2 - STRAIGHT GRADE 3 - CURVE LEVEL 4 - CURVE GRADE 9 - OTHER /UNKNOWN		CONDITIONS 1 - DRY 2 - WET 3 - SNOW 4 - ICE 5 - SAND, MUD, DIRT, OIL, GRAVEL 6 - WATER (STANDING, MOVING) 7 - SLUSH 9 - OTHER / UNKNOWN		SURFACE 1 - CONCRETE 2 - BLACKTOP, BITUMINOUS, ASPHALT 3 - BRICK/BLOCK 4 - SLAG, GRAVEL, STONE 5 - DIRT 9 - OTHER / UNKNOWN					
LIGHT CONDITION 1 - DAYLIGHT 2 - DAWN/DUSK 3 - DARK - LIGHTED ROADWAY 4 - DARK - ROADWAY NOT LIGHTED 5 - DARK - UNKNOWN ROADWAY LIGHTING 9 - OTHER / UNKNOWN		WEATHER 1 - CLEAR 2 - CLOUDY 3 - FOG, SMOG, SMOKE 4 - RAIN 5 - SLEET, HAIL		6 - SNOW 7 - SEVERE CROSSWINDS 8 - BLOWING SAND, SOIL, DIRT, SNOW 9 - FREEZING RAIN OR FREEZING DRIZZLE 99 - OTHER / UNKNOWN		CRASH REPORTED DATE / TIME 11/25/2020 11:29		DISPATCH DATE / TIME 11/25/2020 11:29		ARRIVAL DATE / TIME 11/25/2020 11:36		SCENE CLEARED DATE / TIME 11/25/2020 12:50		REPORT TAKEN BY <input checked="" type="checkbox"/> POLICE AGENCY <input type="checkbox"/> MOTORIST	
TOTAL TIME ROADWAY CLOSED		OTHER INVESTIGATION TIME		TOTAL MINUTES 81		OFFICER'S NAME* Davis, William		CHECKED BY OFFICER'S NAME* Himes, Matthew		OFFICER'S BADGE NUMBER* 1518		CHECKED BY OFFICER'S BADGE NUMBER* 1732		<input type="checkbox"/> SUPPLEMENT (CORRECTION OR ADDITION TO AN EXISTING REPORT SENT TO ODPS)	

NARRATIVE  
 Unit 2 backed out of the driveway of 8030 Price Hilliards and accelerated eastbound on Price Hilliards. Unit 1 approached from the west when he failed to maintain reasonable control of his vehicle and slid into the rear of Unit 2.





**OWNER**

**UNIT #** 2 **OWNER NAME:** LAST, FIRST, MIDDLE (  SAME AS DRIVER ) TRUST, GELCO **OWNER PHONE:** INCLUDE AREA CODE (  SAME AS DRIVER )

**OWNER ADDRESS:** STREET, CITY, STATE, ZIP (  SAME AS DRIVER )  
3880 LOCKEBOURNE INDUSTRIAL PKWY, COLUMBUS, OH, 43207

**COMMERCIAL CARRIER:** NAME, ADDRESS, CITY, STATE, ZIP **COMMERCIAL CARRIER PHONE:** INCLUDE AREA CODE

**LP STATE** OH **LICENSE PLATE #** PKR2025 **VEHICLE IDENTIFICATION #** 3C6TRVDG3KE518152 **VEHICLE YEAR** 2019 **VEHICLE MAKE** DODGE

**INSURANCE VERIFIED** **INSURANCE COMPANY** SNOW VANGUARD **INSURANCE POLICY #** GLA0000015051919 **COLOR** BLU **VEHICLE MODEL** RAM VAN

**COMMERCIAL**  **GOVERNMENT**  **IN EMERGENCY RESPONSE**

**INTERLOCK DEVICE EQUIPPED**  **HIT/SKIP UNIT** **# OCCUPANTS** 1 **VEHICLE WEIGHT GVWR/GCWR**  
1 - ≤ 10K LBS.  
2 - 10,001 - 26K LBS.  
3 - > 26K LBS.

**TOWED BY:** COMPANY NAME

**MATERIAL RELEASED**  **PLACARD** **HAZARDOUS MATERIAL CLASS #** **PLACARD ID #**

**UNIT TYPE** 6

**# OF TRAILING UNITS** 0

**WAS VEHICLE OPERATING IN AUTONOMOUS MODE WHEN CRASH OCCURRED?** 2

1 - YES 2 - NO 9 - OTHER / UNKNOWN

**AUTONOMOUS MODE LEVEL** 0

0 - NO AUTOMATION 1 - DRIVER ASSISTANCE 2 - PARTIAL AUTOMATION 3 - CONDITIONAL AUTOMATION 4 - HIGH AUTOMATION 5 - FULL AUTOMATION 9 - OTHER/UNKNOWN

**SPECIAL FUNCTION** 1

1 - NONE 2 - TAXI 3 - ELECTRONIC RIDE SHARING 4 - SCHOOL TRANSPORT 5 - BUS - TRANSIT/COMMUTER 6 - BUS - CHARTER/TOUR 7 - BUS - INTERCITY 8 - BUS - SHUTTLE 9 - BUS - OTHER 10 - AMBULANCE 11 - FIRE 12 - MILITARY 13 - POLICE 14 - PUBLIC UTILITY 15 - CONSTRUCTION EQUIP. 16 - FARM 17 - MOWING 18 - SNOW REMOVAL 19 - TOWING 20 - SAFETY SERVICE PATROL 21 - MAIL CARRIER 99 - OTHER / UNKNOWN

**CARGO BODY TYPE** 1

1 - NO CARGO BODY TYPE / NOT APPLICABLE 2 - BUS 3 - VEHICLE TOWING ANOTHER MOTOR VEHICLE 4 - LOGGING 5 - INTERMODAL CONTAINER CHASSIS 6 - CARGOVAN / ENCLOSED BOX 7 - GRAIN/CHIPS/GRAVEL 8 - POLE 9 - CARGO TANK 10 - FLAT BED 11 - DUMP 12 - CONCRETE MIXER 13 - AUTO TRANSPORTER 14 - GARBAGE/REFUSE 99 - OTHER / UNKNOWN

**VEHICLE DEFECTS**

1 - TURN SIGNALS 2 - HEAD LAMPS 3 - TAIL LAMPS 4 - BRAKES 5 - STEERING 6 - TIRE BLOWOUT 7 - WORN OR SLICK TIRES 8 - TRAILER EQUIPMENT DEFECTIVE 9 - MOTOR TROUBLE 10 - DISABLED FROM PRIOR ACCIDENT 99 - OTHER / UNKNOWN

**NON-MOTORIST LOCATION**

1 - INTERSECTION - MARKED CROSSWALK 2 - INTERSECTION - UNMARKED CROSSWALK 3 - INTERSECTION - OTHER 4 - MIDBLOCK - MARKED CROSSWALK 5 - TRAVEL LANE - OTHER LOCATION 6 - BICYCLE LANE 7 - SHOULDER/ROADSIDE 8 - SIDEWALK 9 - MEDIAN/CROSSING ISLAND 10 - DRIVEWAY ACCESS 11 - SHARED USE PATHS OR TRAILS 12 - FIRST RESPONDER AT INCIDENT SCENE 99 - OTHER / UNKNOWN

**ACTION** 4

**PRE-CRASH ACTIONS** 1

1 - NON-CONTACT 2 - NON-COLLISION 3 - STRIKING 4 - STRUCK 5 - BOTH STRIKING & STRUCK 9 - OTHER / UNKNOWN 1 - STRAIGHT AHEAD 2 - BACKING 3 - CHANGING LANES 4 - OVERTAKING/PASSING 5 - MAKING RIGHT TURN 6 - MAKING LEFT TURN 7 - MAKING U-TURN 8 - ENTERING TRAFFIC LANE 9 - LEAVING TRAFFIC LANE 10 - PARKED 11 - SLOWING OR STOPPED IN TRAFFIC 12 - DRIVERLESS 13 - NEGOTIATING A CURVE 14 - ENTERING OR CROSSING SPECIFIED LOCATION 15 - WALKING, RUNNING, JOGGING, PLAYING 16 - WORKING 17 - PUSHING VEHICLE 18 - APPROACHING OR LEAVING VEHICLE 19 - STANDING 20 - OTHER NON-MOTORIST 21 - STANDING OUTSIDE DISABLED VEHICLE 99 - OTHER / UNKNOWN

**CONTRIBUTING CIRCUMSTANCES** 1

1 - NONE 2 - FAILURE TO YIELD 3 - RAN RED LIGHT 4 - RAN STOP SIGN 5 - UNSAFE SPEED 6 - IMPROPER TURN 7 - LEFT OF CENTER 8 - FOLLOWING TOO CLOSE / ACDA 9 - IMPROPER LANE CHANGE 10 - IMPROPER PASSING 11 - DROVE OFF ROAD 12 - IMPROPER BACKING 13 - IMPROPER START FROM A PARKED POSITION 14 - STOPPED OR PARKED ILLEGALLY 15 - SWERVING TO AVOID 16 - WRONG WAY 17 - VISION OBSTRUCTION 18 - OPERATING DEFECTIVE EQUIPMENT 19 - LOAD SHIFTING / FALLING/SPILLING 20 - IMPROPER CROSSING 21 - LYING IN ROADWAY 22 - NOT DISCERNIBLE 23 - OPENING DOOR INTO ROADWAY 99 - OTHER IMPROPER ACTION

**SEQUENCE OF EVENTS**

1 20

1 - OVERTURN/ROLLOVER 2 - FIRE/EXPLOSION 3 - IMMERSION 4 - JACKKNIFE 5 - CARGO / EQUIPMENT LOSS OR SHIFT 6 - EQUIPMENT FAILURE 7 - SEPARATION OF UNITS 8 - RAN OFF ROAD RIGHT 9 - RAN OFF ROAD LEFT 10 - CROSS MEDIAN 11 - CROSS CENTERLINE - OPPOSITE DIRECTION OF TRAVEL 12 - DOWNHILL RUNAWAY 13 - OTHER NON-COLLISION 14 - PEDESTRIAN 15 - PEDALCYCLE 16 - RAILWAY VEHICLE 17 - ANIMAL - FARM 18 - ANIMAL - DEER 19 - ANIMAL - OTHER 20 - MOTOR VEHICLE IN TRANSPORT 21 - PARKED MOTOR VEHICLE 22 - WORK ZONE MAINTENANCE EQUIPMENT 23 - STRUCK BY FALLING, SHIFTING CARGO OR ANYTHING SET IN MOTION BY A MOTOR VEHICLE 24 - OTHER MOVABLE OBJECT

**COLLISION WITH FIXED OBJECT - STRUCK**

25 - IMPACT ATTENUATOR / CRASH CUSHION 26 - BRIDGE OVERHEAD STRUCTURE 27 - BRIDGE PIER OR ABUTMENT 28 - BRIDGE PARAPET 29 - BRIDGE RAIL 30 - GUARDRAIL FACE 31 - GUARDRAIL END 32 - PORTABLE BARRIER 33 - MEDIAN CABLE BARRIER 34 - MEDIAN GUARDRAIL BARRIER 35 - MEDIAN CONCRETE BARRIER 36 - MEDIAN OTHER BARRIER 37 - TRAFFIC SIGN POST 38 - OVERHEAD SIGN POST 39 - LIGHT / LUMINARIES SUPPORT 40 - UTILITY POLE 41 - OTHER POST, POLE OR SUPPORT 42 - CULVERT 43 - CURB 44 - DITCH 45 - EMBANKMENT 46 - FENCE 47 - MAILBOX 48 - TREE 49 - FIRE HYDRANT 50 - WORK ZONE MAINTENANCE EQUIPMENT 51 - WALL 52 - BUILDING 53 - TUNNEL 54 - OTHER FIXED OBJECT 99 - OTHER / UNKNOWN

**FIRST HARMFUL EVENT** 1 **MOST HARMFUL EVENT** 1

**LOCAL REPORT NUMBER**

49-0479-49

**DAMAGE**

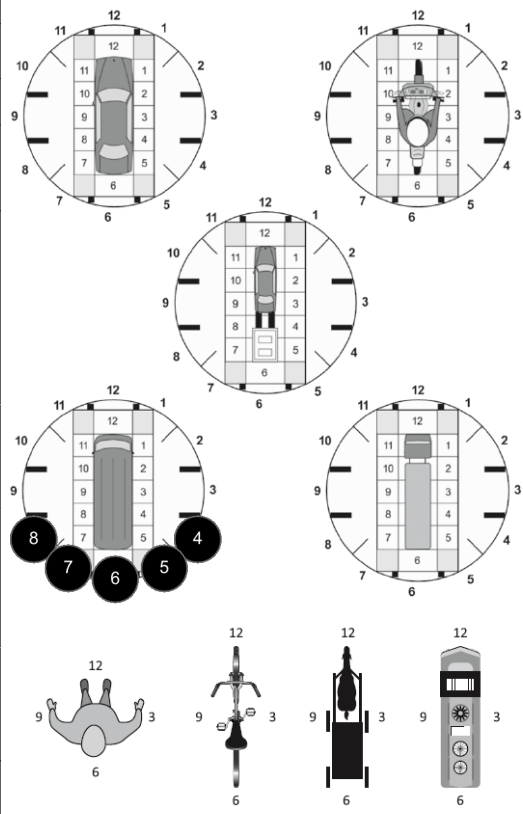
**DAMAGE SCALE**

1 - NONE 2 - MINOR DAMAGE 3 - FUNCTIONAL DAMAGE 4 - DISABLING DAMAGE 9 - UNKNOWN

3

**DAMAGED AREA(S)**

INDICATE ALL THAT APPLY



**NO DAMAGE** [ 0 ]  **UNDERCARRIAGE** [ 14 ]

**TOP** [ 13 ]  **ALL AREAS** [ 15 ]

**UNIT NOT AT SCENE** [ 16 ]

**INITIAL POINT OF CONTACT**

0 - NO DAMAGE 14 - UNDERCARRIAGE 15 - VEHICLE NOT AT SCENE 99 - UNKNOWN

1-12 - REFER TO UNIT DIAGRAM 13 - TOP

6

**TRAFFIC**

**TRAFFICWAY FLOW** 2

1 - ONE-WAY 2 - TWO-WAY

**TRAFFIC CONTROL** 6

1 - ROUNDABOUT 2 - SIGNAL 3 - FLASHER 4 - STOP SIGN 5 - YIELD SIGN 6 - NO CONTROL

**# OF THROUGH LANES ON ROAD** 2

**RAIL GRADE CROSSING** 1

1 - NOT INVOLVED 2 - INVOLVED-ACTIVE CROSSING 3 - INVOLVED-PASSIVE CROSSING

**UNIT / NON-MOTORIST DIRECTION**

**FROM** 4 **TO** 3

1 - NORTH 2 - SOUTH 3 - EAST 4 - WEST 5 - NORTHEAST 6 - NORTHWEST 7 - SOUTHEAST 8 - SOUTHWEST 9 - OTHER / UNKNOWN

**UNIT SPEED**

10

**POSTED SPEED**

55

**DETECTED SPEED**

1 - STATED / ESTIMATED SPEED 2 - CALCULATED / EDR 3 - UNDETERMINED

1

# MOTORIST / Non-MOTORIST

**LOCAL REPORT NUMBER**  
49-0479-49

<b>UNIT #</b> 1	<b>NAME: LAST, FIRST, MIDDLE</b> GINGERICH, DANIEL				<b>DATE OF BIRTH</b> 09/17/1936		<b>AGE</b> 84	<b>GENDER</b> M			
<b>ADDRESS: STREET, CITY, STATE, ZIP</b> 4905 PRICE HILLIARDS RD , PLAIN CITY, OH, 43064					<b>CONTACT PHONE - INCLUDE AREA CODE</b>						
<b>INJURIES</b> 4	<b>INJURED TAKEN BY</b> 9	<b>EMS AGENCY (NAME)</b>	<b>INJURED TAKEN TO: MEDICAL FACILITY (NAME, CITY)</b>		<b>SAFETY EQUIPMENT USED</b> 4	<input type="checkbox"/> DOT-COMPLIANT <input checked="" type="checkbox"/> MC HELMET	<b>SEATING POSITION</b> 1	<b>AIR BAG USAGE</b> 1	<b>EJECTION</b> 1	<b>TRAPPED</b> 1	
<b>OL STATE</b> OH	<b>OPERATOR LICENSE NUMBER</b>		<b>OFFENSE CHARGED</b> 4511.21A		<b>LOCAL CODE</b> <input type="checkbox"/>	<b>OFFENSE DESCRIPTION</b> NO PERSON SHALL OPERATE A MOTO			<b>CITATION NUMBER</b> OHP49151811252020123		
<b>OL CLASS</b> 4	<b>ENDORSEMENT</b>	<b>RESTRICTION SELECT UP TO 3</b>	<b>DRIVER DISTRACTED BY</b> 1	<b>ALCOHOL / DRUG SUSPECTED</b> <input type="checkbox"/> ALCOHOL <input type="checkbox"/> MARIJUANA <input type="checkbox"/> OTHER DRUG		<b>CONDITION</b> 1	<b>ALCOHOL TEST</b>		<b>DRUG TEST(S)</b>		
						<b>STATUS</b> 1	<b>TYPE</b> 1	<b>VALUE</b> .	<b>STATUS</b> 1	<b>TYPE</b> 1	<b>RESULTS SELECT UP TO 4</b>

<b>UNIT #</b> 2	<b>NAME: LAST, FIRST, MIDDLE</b> HARTFIELD, MICHAEL, ADDISON				<b>DATE OF BIRTH</b> 03/29/1990		<b>AGE</b> 30	<b>GENDER</b> M			
<b>ADDRESS: STREET, CITY, STATE, ZIP</b> 2777 GREEN RIVER DR , COLUMBUS, OH, 43228					<b>CONTACT PHONE - INCLUDE AREA CODE</b>						
<b>INJURIES</b> 5	<b>INJURED TAKEN BY</b> 1	<b>EMS AGENCY (NAME)</b>	<b>INJURED TAKEN TO: MEDICAL FACILITY (NAME, CITY)</b>		<b>SAFETY EQUIPMENT USED</b> 4	<input type="checkbox"/> DOT-COMPLIANT <input checked="" type="checkbox"/> MC HELMET	<b>SEATING POSITION</b> 1	<b>AIR BAG USAGE</b> 1	<b>EJECTION</b> 1	<b>TRAPPED</b> 1	
<b>OL STATE</b> OH	<b>OPERATOR LICENSE NUMBER</b>		<b>OFFENSE CHARGED</b>		<b>LOCAL CODE</b> <input type="checkbox"/>	<b>OFFENSE DESCRIPTION</b>			<b>CITATION NUMBER</b>		
<b>OL CLASS</b> 4	<b>ENDORSEMENT</b>	<b>RESTRICTION SELECT UP TO 3</b>	<b>DRIVER DISTRACTED BY</b> 1	<b>ALCOHOL / DRUG SUSPECTED</b> <input type="checkbox"/> ALCOHOL <input type="checkbox"/> MARIJUANA <input type="checkbox"/> OTHER DRUG		<b>CONDITION</b> 1	<b>ALCOHOL TEST</b>		<b>DRUG TEST(S)</b>		
						<b>STATUS</b> 1	<b>TYPE</b> 1	<b>VALUE</b> .	<b>STATUS</b> 1	<b>TYPE</b> 1	<b>RESULTS SELECT UP TO 4</b>

<b>UNIT #</b>	<b>NAME: LAST, FIRST, MIDDLE</b>				<b>DATE OF BIRTH</b>		<b>AGE</b>	<b>GENDER</b>			
<b>ADDRESS: STREET, CITY, STATE, ZIP</b>					<b>CONTACT PHONE - INCLUDE AREA CODE</b>						
<b>INJURIES</b>	<b>INJURED TAKEN BY</b>	<b>EMS AGENCY (NAME)</b>	<b>INJURED TAKEN TO: MEDICAL FACILITY (NAME, CITY)</b>		<b>SAFETY EQUIPMENT USED</b>	<input type="checkbox"/> DOT-COMPLIANT <input type="checkbox"/> MC HELMET	<b>SEATING POSITION</b>	<b>AIR BAG USAGE</b>	<b>EJECTION</b>	<b>TRAPPED</b>	
<b>OL STATE</b>	<b>OPERATOR LICENSE NUMBER</b>		<b>OFFENSE CHARGED</b>		<b>LOCAL CODE</b> <input type="checkbox"/>	<b>OFFENSE DESCRIPTION</b>			<b>CITATION NUMBER</b>		
<b>OL CLASS</b>	<b>ENDORSEMENT</b>	<b>RESTRICTION SELECT UP TO 3</b>	<b>DRIVER DISTRACTED BY</b>	<b>ALCOHOL / DRUG SUSPECTED</b> <input type="checkbox"/> ALCOHOL <input type="checkbox"/> MARIJUANA <input type="checkbox"/> OTHER DRUG		<b>CONDITION</b>	<b>ALCOHOL TEST</b>		<b>DRUG TEST(S)</b>		
						<b>STATUS</b>	<b>TYPE</b>	<b>VALUE</b>	<b>STATUS</b>	<b>TYPE</b>	<b>RESULTS SELECT UP TO 4</b>

INJURIES	SEATING POSITION	AIR BAG	OL CLASS	OL RESTRICTION(S)	DRIVER DISTRACTION	TEST STATUS
1 - FATAL 2 - SUSPECTED SERIOUS INJURY 3 - SUSPECTED MINOR INJURY 4 - POSSIBLE INJURY 5 - NO APPARENT INJURY	1 - FRONT - LEFT SIDE (MOTORCYCLE DRIVER) 2 - FRONT - MIDDLE 3 - FRONT - RIGHT SIDE 4 - SECOND - LEFT SIDE (MOTORCYCLE PASSENGER) 5 - SECOND - MIDDLE 6 - SECOND - RIGHT SIDE 7 - THIRD - LEFT SIDE (MOTORCYCLE SIDE CAR) 8 - THIRD - MIDDLE 9 - THIRD - RIGHT SIDE 10 - SLEEPER SECTION OF TRUCK CAB 11 - PASSENGER IN OTHER ENCLOSED CARGO AREA (NON-TRAILING UNIT, BUS, PICK-UP WITH CAP) 12 - PASSENGER IN UNENCLOSED CARGO AREA 13 - TRAILING UNIT 14 - RIDING ON VEHICLE EXTERIOR (NON-TRAILING UNIT) 15 - NON-MOTORIST 99 - OTHER / UNKNOWN	1 - NOT DEPLOYED 2 - DEPLOYED FRONT 3 - DEPLOYED SIDE 4 - DEPLOYED BOTH FRONT/SIDE 5 - NOT APPLICABLE 9 - DEPLOYMENT UNKNOWN	1 - CLASS A 2 - CLASS B 3 - CLASS C 4 - REGULAR CLASS (OHIO = D) 5 - M/C MOPED ONLY 6 - NO VALID OL	1 - ALCOHOL INTERLOCK DEVICE 2 - CDL INTRASTATE ONLY 3 - CORRECTIVE LENSES 4 - FARM WAIVER 5 - EXCEPT CLASS A BUS 6 - EXCEPT CLASS A & CLASS B BUS 7 - EXCEPT TRACTOR-TRAILER 8 - INTERMEDIATE LICENSE RESTRICTIONS 9 - LEARNER'S PERMIT RESTRICTIONS 10 - LIMITED TO DAYLIGHT ONLY 11 - LIMITED TO EMPLOYMENT 12 - LIMITED - OTHER 13 - MECHANICAL DEVICES (SPECIAL BRAKES, HAND CONTROLS, OR OTHER ADAPTIVE DEVICES) 14 - MILITARY VEHICLES ONLY 15 - MOTOR VEHICLES WITHOUT AIR BRAKES 16 - OUTSIDE MIRROR 17 - PROSTHETIC AID 18 - OTHER	1 - NOT DISTRACTED 2 - MANUALLY OPERATING AN ELECTRONIC COMMUNICATION DEVICE (TEXTING, TYPING, DIALING) 3 - TALKING ON HANDS-FREE COMMUNICATION DEVICE 4 - TALKING ON HAND-HELD COMMUNICATION DEVICE 5 - OTHER ACTIVITY WITH AN ELECTRONIC DEVICE 6 - PASSENGER 7 - OTHER DISTRACTION INSIDE THE VEHICLE 8 - OTHER DISTRACTION OUTSIDE THE VEHICLE 9 - OTHER / UNKNOWN	1 - NONE GIVEN 2 - TEST REFUSED 3 - TEST GIVEN, CONTAMINATED SAMPLE / UNUSABLE 4 - TEST GIVEN, RESULTS KNOWN 5 - TEST GIVEN, RESULTS UNKNOWN
<b>INJURIES TAKEN BY</b>		<b>EJECTION</b>	<b>OL ENDORSEMENT</b>		<b>CONDITION</b>	<b>ALCOHOL TEST TYPE</b>
1 - NOT TRANSPORTED /TREATED AT SCENE 2 - EMS 3 - POLICE 9 - OTHER / UNKNOWN		1 - NOT EJECTED 2 - PARTIALLY EJECTED 3 - TOTALLY EJECTED 4 - NOT APPLICABLE	H - HAZMAT M - MOTORCYCLE P - PASSENGER N - TANKER Q - MOTOR SCOOTER R - THREE-WHEEL MOTORCYCLE S - SCHOOL BUS T - DOUBLE & TRIPLE TRAILERS X - TANKER / HAZMAT		1 - APPARENTLY NORMAL 2 - PHYSICAL IMPAIRMENT 3 - EMOTIONAL (E.G., DEPRESSED, ANGRY, DISTURBED) 4 - ILLNESS 5 - FELL ASLEEP, FAINTED, FATIGUED, ETC. 6 - UNDER THE INFLUENCE OF MEDICATIONS / DRUGS / ALCOHOL 9 - OTHER / UNKNOWN	1 - NONE 2 - BLOOD 3 - URINE 4 - BREATH 5 - OTHER
<b>SAFETY EQUIPMENT</b>		<b>TRAPPED</b>	<b>GENDER</b>			<b>DRUG TEST TYPE</b>
1 - NONE USED 2 - SHOULDER BELT ONLY USED 3 - LAP BELT ONLY USED 4 - SHOULDER & LAP BELT USED 5 - CHILD RESTRAINT SYSTEM - FORWARD FACING 6 - CHILD RESTRAINT SYSTEM - REAR FACING 7 - BOOSTER SEAT 8 - HELMET USED 9 - PROTECTIVE PADS USED (ELBOWS, KNEES, ETC) 10 - REFLECTIVE CLOTHING 11 - LIGHTING - PEDESTRIAN / BICYCLE ONLY 99 - OTHER / UNKNOWN		1 - NOT TRAPPED 2 - EXTRICATED BY MECHANICAL MEANS 3 - FREED BY NON-MECHANICAL MEANS	F - FEMALE M - MALE U - OTHER / UNKNOWN			<b>DRUG TEST RESULT(S)</b>
						1 - AMPHETAMINES 2 - BARBITURATES 3 - BENZODIAZEPINES 4 - CANNABINOIDS 5 - COCAINE 6 - OPIATES / OPIOIDS 7 - OTHER 8 - NEGATIVE RESULTS

# OCCUPANT / WITNESS ADDENDUM

LOCAL REPORT NUMBER  
49-0479-49

<b>OCCUPANT</b>	<b>UNIT #</b>	<b>NAME:</b> LAST, FIRST, MIDDLE			<b>DATE OF BIRTH</b>		<b>AGE</b>	<b>GENDER</b>	
	<b>ADDRESS:</b> STREET, CITY, STATE, ZIP				<b>CONTACT PHONE</b> - INCLUDE AREA CODE				
<b>INJURIES</b>	<b>INJURED TAKEN BY</b>	<b>EMS AGENCY (NAME)</b>	<b>INJURED TAKEN TO: MEDICAL FACILITY (NAME, CITY)</b>	<b>SAFETY EQUIPMENT</b>	<input type="checkbox"/> DOT-COMPLIANT MC HELMET	<b>SEATING POSITION</b>	<b>AIR BAG USAGE</b>	<b>EJECTION</b>	<b>TRAPPED</b>

<b>OCCUPANT</b>	<b>UNIT #</b>	<b>NAME:</b> LAST, FIRST, MIDDLE			<b>DATE OF BIRTH</b>		<b>AGE</b>	<b>GENDER</b>	
	<b>ADDRESS:</b> STREET, CITY, STATE, ZIP				<b>CONTACT PHONE</b> - INCLUDE AREA CODE				
<b>INJURIES</b>	<b>INJURED TAKEN BY</b>	<b>EMS AGENCY (NAME)</b>	<b>INJURED TAKEN TO: MEDICAL FACILITY (NAME, CITY)</b>	<b>SAFETY EQUIPMENT</b>	<input type="checkbox"/> DOT-COMPLIANT MC HELMET	<b>SEATING POSITION</b>	<b>AIR BAG USAGE</b>	<b>EJECTION</b>	<b>TRAPPED</b>

<b>OCCUPANT</b>	<b>UNIT #</b>	<b>NAME:</b> LAST, FIRST, MIDDLE			<b>DATE OF BIRTH</b>		<b>AGE</b>	<b>GENDER</b>	
	<b>ADDRESS:</b> STREET, CITY, STATE, ZIP				<b>CONTACT PHONE</b> - INCLUDE AREA CODE				
<b>INJURIES</b>	<b>INJURED TAKEN BY</b>	<b>EMS AGENCY (NAME)</b>	<b>INJURED TAKEN TO: MEDICAL FACILITY (NAME, CITY)</b>	<b>SAFETY EQUIPMENT</b>	<input type="checkbox"/> DOT-COMPLIANT MC HELMET	<b>SEATING POSITION</b>	<b>AIR BAG USAGE</b>	<b>EJECTION</b>	<b>TRAPPED</b>

<b>OCCUPANT</b>	<b>UNIT #</b>	<b>NAME:</b> LAST, FIRST, MIDDLE			<b>DATE OF BIRTH</b>		<b>AGE</b>	<b>GENDER</b>	
	<b>ADDRESS:</b> STREET, CITY, STATE, ZIP				<b>CONTACT PHONE</b> - INCLUDE AREA CODE				
<b>INJURIES</b>	<b>INJURED TAKEN BY</b>	<b>EMS AGENCY (NAME)</b>	<b>INJURED TAKEN TO: MEDICAL FACILITY (NAME, CITY)</b>	<b>SAFETY EQUIPMENT</b>	<input type="checkbox"/> DOT-COMPLIANT MC HELMET	<b>SEATING POSITION</b>	<b>AIR BAG USAGE</b>	<b>EJECTION</b>	<b>TRAPPED</b>

INJURIES	SAFETY EQUIPMENT USED	SEATING POSITION	AIR BAG USAGE
1 - FATAL 2 - SUSPECTED SERIOUS INJURY 3 - SUSPECTED MINOR INJURY 4 - POSSIBLE INJURY 5 - NO APPARENT INJURY	1 - NONE USED - VEHICLE OCCUPANT 2 - SHOULDER BELT ONLY USED 3 - LAP BELT ONLY USED 4 - SHOULDER & LAP BELT USED 5 - CHILD RESTRAINT SYSTEM - FORWARD FACING 6 - CHILD RESTRAINT SYSTEM - REAR FACING 7 - BOOSTER SEAT 8 - HELMET USED 9 - PROTECTIVE PADS USED (ELBOWS, KNEES, ETC) 10 - REFLECTIVE CLOTHING 11 - LIGHTING - PEDESTRIAN / BICYCLE ONLY 99 - OTHER / UNKNOWN	1 - FRONT - LEFT SIDE (MOTORCYCLE DRIVER) 2 - FRONT - MIDDLE 3 - FRONT - RIGHT SIDE 4 - SECOND - LEFT SIDE (MOTORCYCLE PASSENGER) 5 - SECOND - MIDDLE 6 - SECOND - RIGHT SIDE 7 - THIRD - LEFT SIDE (MOTORCYCLE SIDE CAR) 8 - THIRD - MIDDLE 9 - THIRD - RIGHT SIDE 10 - SLEEPER SECTION OF TRUCK CAB 11 - PASSENGER IN OTHER ENCLOSED CARGO AREA (NON-TRAILING UNIT SUCH AS A BUS, PICK-UP WITH CAP) 12 - PASSENGER IN UNENCLOSED CARGO AREA 13 - TRAILING UNIT 14 - RIDING ON VEHICLE EXTERIOR (NON-TRAILING UNIT) 15 - NON-MOTORIST 99 - OTHER / UNKNOWN	1 - NOT DEPLOYED 2 - DEPLOYED FRONT 3 - DEPLOYED SIDE 4 - DEPLOYED BOTH FRONT/SIDE 5 - NOT APPLICABLE 9 - DEPLOYMENT UNKNOWN
INJURED TAKEN BY			EJECTION
1 - NOT TRANSPORTED / TREATED AT SCENE 2 - EMS 3 - POLICE 9 - OTHER / UNKNOWN			1 - NOT EJECTED 2 - PARTIALLY EJECTED 3 - TOTALLY EJECTED 4 - NOT APPLICABLE
GENDER			TRAPPED
F - FEMALE M - MALE U - OTHER / UNKNOWN			1 - NOT TRAPPED 2 - EXTRICATED BY MECHANICAL MEANS 3 - FREED BY NON-MECHANICAL MEANS

<b>WITNESS</b>	<b>NAME:</b> LAST, FIRST, MIDDLE	<b>DATE OF BIRTH</b>		<b>AGE</b>	<b>GENDER</b>
	<b>ADDRESS:</b> STREET, CITY, STATE, ZIP	<b>CONTACT PHONE</b> - INCLUDE AREA CODE			

<b>WITNESS</b>	<b>NAME:</b> LAST, FIRST, MIDDLE	<b>DATE OF BIRTH</b>		<b>AGE</b>	<b>GENDER</b>
	<b>ADDRESS:</b> STREET, CITY, STATE, ZIP	<b>CONTACT PHONE</b> - INCLUDE AREA CODE			

<b>WITNESS</b>	<b>NAME:</b> LAST, FIRST, MIDDLE	<b>DATE OF BIRTH</b>		<b>AGE</b>	<b>GENDER</b>
	<b>ADDRESS:</b> STREET, CITY, STATE, ZIP	<b>CONTACT PHONE</b> - INCLUDE AREA CODE			