

TRAFFIC CRASH REPORT

*DENOTES MANDATORY FIELD FOR SUPPLEMENT REPORT

LOCAL REPORT NUMBER *

49-0013-49

<input checked="" type="checkbox"/> PHOTOS TAKEN	<input checked="" type="checkbox"/> OH -2	<input checked="" type="checkbox"/> OH -3	LOCAL INFORMATION P24010700001768
<input type="checkbox"/> SECONDARY CRASH	<input checked="" type="checkbox"/> OH-1P	<input type="checkbox"/> OTHER	REPORTING AGENCY NAME * Ohio State Highway Patrol
<input type="checkbox"/> PRIVATE PROPERTY			NCIC * OHP49

HIT/SKIP 1 - SOLVED 2 - UNSOLVED	NUMBER OF UNITS 1	UNIT IN ERROR 98 - ANIMAL 99 - UNKNOWN
--	----------------------	--

COUNTY* 49	LOCALITY* 3	LOCATION: CITY, VILLAGE, TOWNSHIP* Jefferson (Township of)	CRASH DATE / TIME* 01/07/2024 19:48	CRASH SEVERITY 3
---------------	----------------	---	--	---------------------

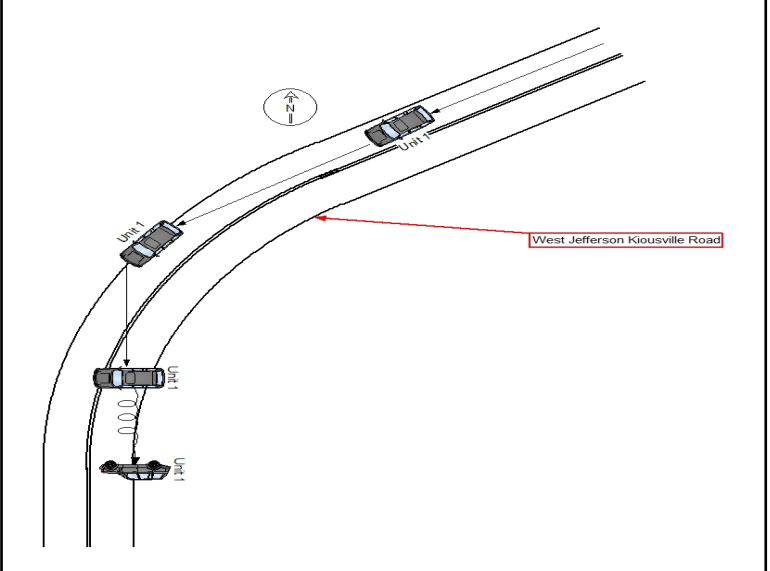
ROUTE TYPE	ROUTE NUMBER	PREFIX 1 - NORTH 2 - SOUTH 3 - EAST 4 - WEST	LOCATION ROAD NAME West Jefferson Kiousville	ROAD TYPE RD	LATITUDE DECIMAL DEGREES 39.921977	CRASH SEVERITY 1 - FATAL 2 - SERIOUS INJURY SUSPECTED 3 - MINOR INJURY SUSPECTED 4 - INJURY POSSIBLE 5 - PROPERTY DAMAGE ONLY
ROUTE TYPE	ROUTE NUMBER	PREFIX 1 - NORTH 2 - SOUTH 3 - EAST 4 - WEST	REFERENCE ROAD NAME (ROAD, MILEPOST, HOUSE #) Wilson	ROAD TYPE RD	LONGITUDE DECIMAL DEGREES -83.290237	

REFERENCE POINT 1 - INTERSECTION 2 - MILE POST 3 - HOUSE #	DIRECTION FROM REFERENCE 1 - NORTH 2 - SOUTH 3 - EAST 4 - WEST	ROUTE TYPE IR - INTERSTATE ROUTE (TP) US - FEDERAL US ROUTE SR - STATE ROUTE CR - NUMBERED COUNTY ROUTE TR - NUMBERED TOWNSHIP ROUTE	ROAD TYPE AL - ALLEY AV - AVENUE BL - BOULEVARD CR - CIRCLE CT - COURT DR - DRIVE HE - HEIGHTS	ROAD TYPE HW - HIGHWAY LA - LANE MP - MILEPOST OV - OVAL PK - PARKWAY PI - PIKE PL - PLACE	RD - ROAD SQ - SQUARE ST - STREET TE - TERRACE TL - TRAIL WA - WAY	INTERSECTION RELATED <input type="checkbox"/> WITHIN INTERSECTION OR ON APPROACH <input type="checkbox"/> WITHIN INTERCHANGE AREA
DISTANCE FROM REFERENCE 715.46	DISTANCE UNIT OF MEASURE 1 - MILES 2 - FEET 3 - YARDS					NUMBER OF APPROACHES

LOCATION OF FIRST HARMFUL EVENT 1 - ON ROADWAY 2 - ON SHOULDER 3 - IN MEDIAN 4 - ON ROADSIDE 5 - ON GORE 6 - OUTSIDE TRAFFIC WAY 7 - ON RAMP 8 - OFF RAMP	9 - CROSSOVER 10 - DRIVEWAY/ALLEY ACCESS 11 - RAILWAY GRADE CROSSING 12 - SHARED USE PATHS OR TRAILS 13 - BIKE LANE 14 - TOLL BOOTH 99 - OTHER / UNKNOWN	MANNER OF CRASH COLLISION/IMPACT 1 - NOT COLLISION BETWEEN TWO MOTOR VEHICLES IN TRANSPORT 2 - REAR-END 3 - HEAD-ON 4 - REAR-TO-REAR 5 - BACKING 6 - ANGLE 7 - SIDESWIPE, SAME DIRECTION 8 - SIDESWIPE, OPPOSITE DIRECTION 9 - OTHER / UNKNOWN	DIRECTION OF TRAVEL 1 - NORTH 2 - SOUTH 3 - EAST 4 - WEST	MEDIAN TYPE 1 - DIVIDED FLUSH MEDIAN (< 4 FEET) 2 - DIVIDED FLUSH MEDIAN (≥ 4 FEET) 3 - DIVIDED, DEPRESSED MEDIAN 4 - DIVIDED, RAISED MEDIAN (ANY TYPE) 9 - OTHER / UNKNOWN
---	--	---	---	--

<input type="checkbox"/> WORK ZONE RELATED <input type="checkbox"/> WORKERS PRESENT <input type="checkbox"/> LAW ENFORCEMENT PRESENT <input type="checkbox"/> ACTIVE SCHOOL ZONE	WORK ZONE TYPE 1 - LANE CLOSURE 2 - LANE SHIFT/ CROSSOVER 3 - WORK ON SHOULDER OR MEDIAN 4 - INTERMITTENT OR MOVING WORK 5 - OTHER	LOCATION OF CRASH IN WORK ZONE 1 - BEFORE THE 1ST WORK ZONE WARNING SIGN 2 - ADVANCE WARNING AREA 3 - TRANSITION AREA 4 - ACTIVITY AREA 5 - TERMINATION AREA	CONTOUR 4	CONDITIONS 1	SURFACE 2
LIGHT CONDITION 4	WEATHER 2				

NARRATIVE
Unit 1 was traveling southwest on West Jefferson Kiousville Road. Unit 1 failed to negotiate a curve going off the right side of the roadway. Unit 1 went off the left side of the roadway and overturned.



CRASH REPORTED DATE / TIME 01/07/2024 19:48	DISPATCH DATE / TIME 01/07/2024 19:48	ARRIVAL DATE / TIME 01/07/2024 19:53	SCENE CLEARED DATE / TIME 01/07/2024 20:51	REPORT TAKEN BY <input checked="" type="checkbox"/> POLICE AGENCY <input type="checkbox"/> MOTORIST
TOTAL TIME ROADWAY CLOSED	OTHER INVESTIGATION TIME 10	TOTAL MINUTES 73	OFFICER'S NAME* Lambdin, Jacob	CHECKED BY OFFICER'S NAME* Meddock, Shane
			OFFICER'S BADGE NUMBER* 1916	CHECKED BY OFFICER'S BADGE NUMBER* 0756
<input type="checkbox"/> SUPPLEMENT (CORRECTION OR ADDITION TO AN EXISTING REPORT SENT TO ODPS)				

OWNER

UNIT # 1 **OWNER NAME:** LAST, FIRST, MIDDLE (SAME AS DRIVER)
BURGDERFER, SHAWN, L

OWNER ADDRESS: STREET, CITY, STATE, ZIP (SAME AS DRIVER)
7018 GREGG ROAD, WEST JEFFERSON, OH, 43162

COMMERCIAL CARRIER: NAME, ADDRESS, CITY, STATE, ZIP _____ **COMMERCIAL CARRIER PHONE:** INCLUDE AREA CODE _____

LP STATE OH **LICENSE PLATE #** JVK8316 **VEHICLE IDENTIFICATION #** 2T2HA31U24C039473 **VEHICLE YEAR** 2004 **VEHICLE MAKE** LEXUS

INSURANCE VERIFIED **INSURANCE COMPANY** STATE FARM **INSURANCE POLICY #** 24966645FP35 **COLOR** WHI **VEHICLE MODEL** RX

COMMERCIAL **GOVERNMENT** **IN EMERGENCY RESPONSE** **US DOT #** _____ **TOWED BY:** COMPANY NAME C AND C TOWING

INTERLOCK DEVICE EQUIPPED **HIT/SKIP UNIT** **# OCCUPANTS** 1 **VEHICLE WEIGHT GVWR/GCWR**
1 - ≤ 10K LBS.
2 - 10.001 - 26K LBS.
3 - > 26K LBS.

HAZARDOUS MATERIAL CLASS # _____ **PLACARD ID #** _____

UNIT TYPE 3

1 - PASSENGER CAR	6 - VAN (9-15 SEATS)	12 - GOLF CART	18 - LIMO (LIVERY VEHICLE)	23 - PEDESTRIAN/SKATER
2 - PASSENGER VAN (MINIVAN)	7 - MOTORCYCLE 2-WHEELED	13 - SNOWMOBILE	19 - BUS (16+ PASSENGERS)	24 - WHEELCHAIR (ANY TYPE)
3 - SPORT UTILITY VEHICLE	8 - MOTORCYCLE 3-WHEELED	14 - SINGLE UNIT TRUCK	20 - OTHER VEHICLE	25 - OTHER NON-MOTORIST
4 - PICK UP	9 - AUTOCYCLE	15 - SEMI-TRACTOR	21 - HEAVY EQUIPMENT	26 - BICYCLE
5 - CARGO VAN	10 - MOPED OR MOTORIZED BICYCLE	16 - FARM EQUIPMENT	22 - ANIMAL WITH RIDER OR ANIMAL-DRAWN VEHICLE	27 - TRAIN
	11 - ALL TERRAIN VEHICLE (ATV/UTV)	17 - MOTORHOME	99 - UNKNOWN OR HIT/SKIP	

of TRAILING UNITS _____

VEHICLE

WAS VEHICLE OPERATING IN AUTONOMOUS MODE WHEN CRASH OCCURRED? 2

0 - NO AUTOMATION	3 - CONDITIONAL AUTOMATION	9 - OTHER/UNKNOWN
1 - DRIVER ASSISTANCE	4 - HIGH AUTOMATION	
2 - PARTIAL AUTOMATION	5 - FULL AUTOMATION	

SPECIAL FUNCTION 1

1 - NONE	6 - BUS - CHARTER/TOUR	11 - FIRE	16 - FARM	21 - MAIL CARRIER
2 - TAXI	7 - BUS - INTERCITY	12 - MILITARY	17 - MOWING	99 - OTHER / UNKNOWN
3 - ELECTRONIC RIDE SHARING	8 - BUS - SHUTTLE	13 - POLICE	18 - SNOW REMOVAL	
4 - SCHOOL TRANSPORT	9 - BUS - OTHER	14 - PUBLIC UTILITY	19 - TOWING	
5 - BUS - TRANSIT/COMMUTER	10 - AMBULANCE	15 - CONSTRUCTION EQUIP.	20 - SAFETY SERVICE PATROL	

CARGO BODY TYPE 1

1 - NO CARGO BODY TYPE / NOT APPLICABLE	4 - LOGGING	7 - GRAIN/CHIPS/GRAVEL	11 - DUMP	99 - OTHER / UNKNOWN
2 - BUS	5 - INTERMODAL CONTAINER CHASSIS	8 - POLE	12 - CONCRETE MIXER	
3 - VEHICLE TOWING ANOTHER MOTOR VEHICLE	6 - CARGOVAN /ENCLOSED BOX	9 - CARGO TANK	13 - AUTO TRANSPORTER	
		10 - FLAT BED	14 - GARBAGE/REFUSE	

VEHICLE DEFECTS

1 - TURN SIGNALS	4 - BRAKES	7 - WORN OR SLICK TIRES	9 - MOTOR TROUBLE	99 - OTHER / UNKNOWN
2 - HEAD LAMPS	5 - STEERING	8 - TRAILER EQUIPMENT DEFECTIVE	10 - DISABLED FROM PRIOR ACCIDENT	
3 - TAIL LAMPS	6 - TIRE BLOWOUT			

NON-MOTORIST LOCATION

1 - INTERSECTION - MARKED CROSSWALK	4 - MIDBLOCK - MARKED CROSSWALK	7 - SHOULDER/ROADSIDE	10 - DRIVEWAY ACCESS	99 - OTHER / UNKNOWN
2 - INTERSECTION - UNMARKED CROSSWALK	5 - TRAVEL LANE - OTHER LOCATION	8 - SIDEWALK	11 - SHARED USE PATHS OR TRAILS	
3 - INTERSECTION - OTHER	6 - BICYCLE LANE	9 - MEDIAN/CROSSING ISLAND	12 - FIRST RESPONDER AT INCIDENT SCENE	

ACTION 3 **PRE-CRASH ACTIONS** 13

1 - NON-CONTACT	1 - STRAIGHT AHEAD	9 - LEAVING TRAFFIC LANE	15 - WALKING, RUNNING, JOGGING, PLAYING	21 - STANDING OUTSIDE DISABLED VEHICLE
2 - NON-COLLISION	2 - BACKING	10 - PARKED	16 - WORKING	99 - OTHER / UNKNOWN
3 - STRIKING	3 - CHANGING LANES	11 - SLOWING OR STOPPED IN TRAFFIC	17 - PUSHING VEHICLE	
4 - STRUCK	4 - OVERTAKING/PASSING	12 - DRIVERLESS	18 - APPROACHING OR LEAVING VEHICLE	
5 - BOTH STRIKING & STRUCK	5 - MAKING RIGHT TURN	13 - NEGOTIATING A CURVE	19 - STANDING	
6 - STRUCK	6 - MAKING LEFT TURN	14 - ENTERING OR CROSSING SPECIFIED LOCATION	20 - OTHER NON-MOTORIST	
7 - STRUCK	7 - MAKING U-TURN			
8 - STRUCK	8 - ENTERING TRAFFIC LANE			
9 - OTHER / UNKNOWN				

CONTRIBUTING CIRCUMSTANCES 11

1 - NONE	8 - FOLLOWING TOO CLOSE /ACDA	13 - IMPROPER START FROM A PARKED POSITION	18 - OPERATING DEFECTIVE EQUIPMENT	23 - OPENING DOOR INTO ROADWAY
2 - FAILURE TO YIELD	9 - IMPROPER LANE CHANGE	14 - STOPPED OR PARKED ILLEGALLY	19 - LOAD SHIFTING /FALLING/SPILLING	99 - OTHER IMPROPER ACTION
3 - RAN RED LIGHT	10 - IMPROPER PASSING	15 - SWERVING TO AVOID	20 - IMPROPER CROSSING	
4 - RAN STOP SIGN	11 - DROVE OFF ROAD	16 - WRONG WAY	21 - LYING IN ROADWAY	
5 - UNSAFE SPEED	12 - IMPROPER BACKING	17 - VISION OBSTRUCTION	22 - NOT DISCERNIBLE	
6 - IMPROPER TURN				
7 - LEFT OF CENTER				

SEQUENCE OF EVENTS

EVENTS

1 - OVERTURN/ROLLOVER	7 - SEPARATION OF UNITS	12 - DOWNHILL RUNAWAY	19 - ANIMAL - OTHER	23 - STRUCK BY FALLING, SHIFTING CARGO OR ANYTHING SET IN MOTION BY A MOTOR VEHICLE
2 - FIRE/EXPLOSION	8 - RAN OFF ROAD RIGHT	13 - OTHER NON-COLLISION	20 - MOTOR VEHICLE IN TRANSPORT	24 - OTHER MOVABLE OBJECT
3 - IMMERSION	9 - RAN OFF ROAD LEFT	14 - PEDESTRIAN	21 - PARKED MOTOR VEHICLE	
4 - JACKKNIFE	10 - CROSS MEDIAN	15 - PEDALCYCLE	22 - WORK ZONE MAINTENANCE EQUIPMENT	
5 - CARGO / EQUIPMENT LOSS OR SHIFT	11 - CROSS CENTERLINE - OPPOSITE DIRECTION OF TRAVEL	16 - RAILWAY VEHICLE		
6 - EQUIPMENT FAILURE		17 - ANIMAL - FARM		
		18 - ANIMAL - DEER		

COLLISION WITH FIXED OBJECT - STRUCK

25 - IMPACT ATTENUATOR / CRASH CUSHION	31 - GUARDRAIL END	38 - OVERHEAD SIGN POST	45 - EMBANKMENT	52 - BUILDING
26 - BRIDGE OVERHEAD STRUCTURE	32 - PORTABLE BARRIER	39 - LIGHT / LUMINARIES SUPPORT	46 - FENCE	53 - TUNNEL
27 - BRIDGE PIER OR ABUTMENT	33 - MEDIAN CABLE BARRIER	40 - UTILITY POLE	47 - MAILBOX	54 - OTHER FIXED OBJECT
28 - BRIDGE PARAPET	34 - MEDIAN GUARDRAIL BARRIER	41 - OTHER POST, POLE OR SUPPORT	48 - TREE	99 - OTHER / UNKNOWN
29 - BRIDGE RAIL	35 - MEDIAN CONCRETE BARRIER	42 - CULVERT	49 - FIRE HYDRANT	
30 - GUARDRAIL FACE	36 - MEDIAN OTHER BARRIER	43 - CURB	50 - WORK ZONE MAINTENANCE EQUIPMENT	
	37 - TRAFFIC SIGN POST	44 - DITCH	51 - WALL	

FIRST HARMFUL EVENT 3 **MOST HARMFUL EVENT** 3

LOCAL REPORT NUMBER

49-0013-49

DAMAGE

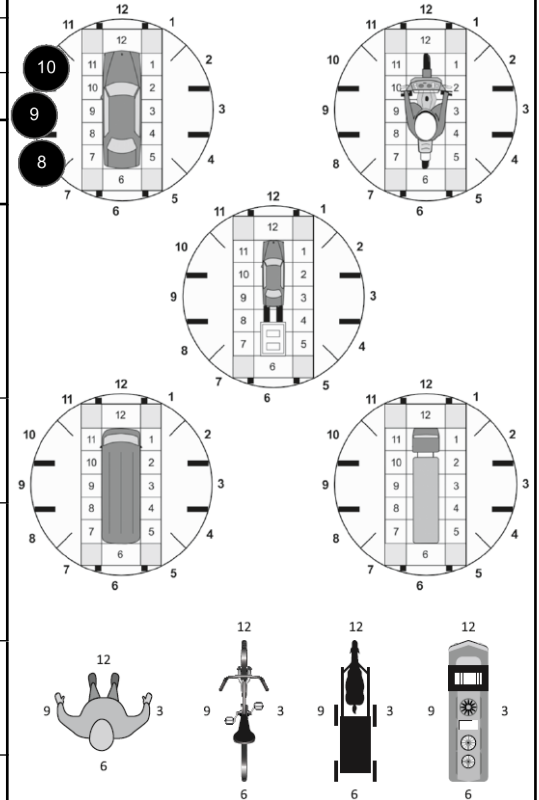
DAMAGE SCALE

1 - NONE 3 - FUNCTIONAL DAMAGE
2 - MINOR DAMAGE 4 - DISABLING DAMAGE
9 - UNKNOWN

3

DAMAGED AREA(S)

INDICATE ALL THAT APPLY



NO DAMAGE [0] UNDERCARRIAGE [14]
 TOP [13] ALL AREAS [15]
 UNIT NOT AT SCENE [16]

INITIAL POINT OF CONTACT

0 - NO DAMAGE 14 - UNDERCARRIAGE
1-12 - REFER TO UNIT DIAGRAM 15 - VEHICLE NOT AT SCENE
99 - UNKNOWN

9

13 - TOP

TRAFFIC

TRAFFICWAY FLOW 2

1 - ONE-WAY
2 - TWO-WAY

TRAFFIC CONTROL 6

1 - ROUNDABOUT 4 - STOP SIGN
2 - SIGNAL 5 - YIELD SIGN
3 - FLASHER 6 - NO CONTROL

OF THROUGH LANES ON ROAD 2

RAIL GRADE CROSSING 1

1 - NOT INVOLVED
2 - INVOLVED-ACTIVE CROSSING
3 - INVOLVED-PASSIVE CROSSING

UNIT / NON-MOTORIST DIRECTION

FROM **5** TO **2**

1 - NORTH 5 - NORTHEAST
2 - SOUTH 6 - NORTHWEST
3 - EAST 7 - SOUTHEAST
4 - WEST 8 - SOUTHWEST
9 - OTHER / UNKNOWN

UNIT SPEED

DETECTED SPEED

POSTED SPEED 55

1 - STATED / ESTIMATED SPEED
3 2 - CALCULATED / EDR
3 - UNDETERMINED

MOTORIST / Non-MOTORIST

LOCAL REPORT NUMBER
49-0013-49

UNIT # 1	NAME: LAST, FIRST, MIDDLE BURGDERFER, SHAWN, L				DATE OF BIRTH 01/01/1978		AGE 46	GENDER M					
ADDRESS: STREET, CITY, STATE, ZIP 7018 GREGG ROAD, WEST JEFFERSON, OH, 43162					CONTACT PHONE - INCLUDE AREA CODE								
INJURIES 3	INJURED TAKEN BY 1	EMS AGENCY (NAME)		INJURED TAKEN TO: MEDICAL FACILITY (NAME, CITY)		SAFETY EQUIPMENT USED 4	<input type="checkbox"/> DOT-COMPLIANT <input type="checkbox"/> MC HELMET	SEATING POSITION 1	AIR BAG USAGE 1	EJECTION 1	TRAPPED 1		
OL STATE OH	OPERATOR LICENSE NUMBER			OFFENSE CHARGED 4511.202		LOCAL CODE <input type="checkbox"/>	OFFENSE DESCRIPTION OPERATING VEHICLE WITHOUT REAS			CITATION NUMBER OHP49191601072024212			
OL CLASS 4	ENDORSEMENT	RESTRICTION SELECT UP TO 3		DRIVER DISTRACTED BY 1	ALCOHOL / DRUG SUSPECTED <input checked="" type="checkbox"/> ALCOHOL <input type="checkbox"/> MARIJUANA <input type="checkbox"/> OTHER DRUG		CONDITION 6	ALCOHOL TEST			DRUG TEST(S)		
								STATUS 2	TYPE 1	VALUE	STATUS 2	TYPE 1	RESULTS SELECT UP TO 4

UNIT #	NAME: LAST, FIRST, MIDDLE				DATE OF BIRTH		AGE	GENDER					
ADDRESS: STREET, CITY, STATE, ZIP					CONTACT PHONE - INCLUDE AREA CODE								
INJURIES	INJURED TAKEN BY	EMS AGENCY (NAME)		INJURED TAKEN TO: MEDICAL FACILITY (NAME, CITY)		SAFETY EQUIPMENT USED	<input type="checkbox"/> DOT-COMPLIANT <input type="checkbox"/> MC HELMET	SEATING POSITION	AIR BAG USAGE	EJECTION	TRAPPED		
OL STATE	OPERATOR LICENSE NUMBER			OFFENSE CHARGED		LOCAL CODE <input type="checkbox"/>	OFFENSE DESCRIPTION			CITATION NUMBER			
OL CLASS	ENDORSEMENT	RESTRICTION SELECT UP TO 3		DRIVER DISTRACTED BY	ALCOHOL / DRUG SUSPECTED <input type="checkbox"/> ALCOHOL <input type="checkbox"/> MARIJUANA <input type="checkbox"/> OTHER DRUG		CONDITION	ALCOHOL TEST			DRUG TEST(S)		
								STATUS	TYPE	VALUE	STATUS	TYPE	RESULTS SELECT UP TO 4

UNIT #	NAME: LAST, FIRST, MIDDLE				DATE OF BIRTH		AGE	GENDER					
ADDRESS: STREET, CITY, STATE, ZIP					CONTACT PHONE - INCLUDE AREA CODE								
INJURIES	INJURED TAKEN BY	EMS AGENCY (NAME)		INJURED TAKEN TO: MEDICAL FACILITY (NAME, CITY)		SAFETY EQUIPMENT USED	<input type="checkbox"/> DOT-COMPLIANT <input type="checkbox"/> MC HELMET	SEATING POSITION	AIR BAG USAGE	EJECTION	TRAPPED		
OL STATE	OPERATOR LICENSE NUMBER			OFFENSE CHARGED		LOCAL CODE <input type="checkbox"/>	OFFENSE DESCRIPTION			CITATION NUMBER			
OL CLASS	ENDORSEMENT	RESTRICTION SELECT UP TO 3		DRIVER DISTRACTED BY	ALCOHOL / DRUG SUSPECTED <input type="checkbox"/> ALCOHOL <input type="checkbox"/> MARIJUANA <input type="checkbox"/> OTHER DRUG		CONDITION	ALCOHOL TEST			DRUG TEST(S)		
								STATUS	TYPE	VALUE	STATUS	TYPE	RESULTS SELECT UP TO 4

INJURIES	SEATING POSITION	AIR BAG	OL CLASS	OL RESTRICTION(S)	DRIVER DISTRACTION	TEST STATUS
1 - FATAL 2 - SUSPECTED SERIOUS INJURY 3 - SUSPECTED MINOR INJURY 4 - POSSIBLE INJURY 5 - NO APPARENT INJURY	1 - FRONT - LEFT SIDE (MOTORCYCLE DRIVER) 2 - FRONT - MIDDLE 3 - FRONT - RIGHT SIDE 4 - SECOND - LEFT SIDE (MOTORCYCLE PASSENGER) 5 - SECOND - MIDDLE 6 - SECOND - RIGHT SIDE 7 - THIRD - LEFT SIDE (MOTORCYCLE SIDE CAR) 8 - THIRD - MIDDLE 9 - THIRD - RIGHT SIDE 10 - SLEEPER SECTION OF TRUCK CAB 11 - PASSENGER IN OTHER ENCLOSED CARGO AREA (NON-TRAILING UNIT, BUS, PICK-UP WITH CAP) 12 - PASSENGER IN UNENCLOSED CARGO AREA 13 - TRAILING UNIT 14 - RIDING ON VEHICLE EXTERIOR (NON-TRAILING UNIT) 15 - NON-MOTORIST 99 - OTHER / UNKNOWN	1 - NOT DEPLOYED 2 - DEPLOYED FRONT 3 - DEPLOYED SIDE 4 - DEPLOYED BOTH FRONT/SIDE 5 - NOT APPLICABLE 9 - DEPLOYMENT UNKNOWN	1 - CLASS A 2 - CLASS B 3 - CLASS C 4 - REGULAR CLASS (OHIO = D) 5 - M/C MOPED ONLY 6 - NO VALID OL	1 - ALCOHOL INTERLOCK DEVICE 2 - CDL INTRASTATE ONLY 3 - CORRECTIVE LENSES 4 - FARM WAIVER 5 - EXCEPT CLASS A BUS 6 - EXCEPT CLASS A & CLASS B BUS 7 - EXCEPT TRACTOR-TRAILER 8 - INTERMEDIATE LICENSE RESTRICTIONS 9 - LEARNER'S PERMIT RESTRICTIONS 10 - LIMITED TO DAYLIGHT ONLY 11 - LIMITED TO EMPLOYMENT 12 - LIMITED - OTHER 13 - MECHANICAL DEVICES (SPECIAL BRAKES, HAND CONTROLS, OR OTHER ADAPTIVE DEVICES) 14 - MILITARY VEHICLES ONLY 15 - MOTOR VEHICLES WITHOUT AIR BRAKES 16 - OUTSIDE MIRROR 17 - PROSTHETIC AID 18 - OTHER	1 - NOT DISTRACTED 2 - MANUALLY OPERATING AN ELECTRONIC COMMUNICATION DEVICE (TEXTING, TYPING, DRIVING) 3 - TALKING ON HANDS-FREE COMMUNICATION DEVICE 4 - TALKING ON HAND-HELD COMMUNICATION DEVICE 5 - OTHER ACTIVITY WITH AN ELECTRONIC DEVICE 6 - PASSENGER 7 - OTHER DISTRACTION INSIDE THE VEHICLE 8 - OTHER DISTRACTION OUTSIDE THE VEHICLE 9 - OTHER / UNKNOWN	1 - NONE GIVEN 2 - TEST REFUSED 3 - TEST GIVEN, CONTAMINATED SAMPLE / UNUSABLE 4 - TEST GIVEN, RESULTS KNOWN 5 - TEST GIVEN, RESULTS UNKNOWN
INJURIES TAKEN BY		EJECTION	OL ENDORSEMENT		CONDITION	ALCOHOL TEST TYPE
1 - NOT TRANSPORTED /TREATED AT SCENE 2 - EMS 3 - POLICE 9 - OTHER / UNKNOWN		1 - NOT EJECTED 2 - PARTIALLY EJECTED 3 - TOTALLY EJECTED 4 - NOT APPLICABLE	H - HAZMAT M - MOTORCYCLE P - PASSENGER N - TANKER Q - MOTOR SCOOTER R - THREE-WHEEL MOTORCYCLE S - SCHOOL BUS T - DOUBLE & TRIPLE TRAILERS X - TANKER / HAZMAT		1 - APPARENTLY NORMAL 2 - PHYSICAL IMPAIRMENT 3 - EMOTIONAL (E.G., DEPRESSED, ANGRY, DISTURBED) 4 - ILLNESS 5 - FELL ASLEEP, FAINTED, FATIGUED, ETC. 6 - UNDER THE INFLUENCE OF MEDICATIONS / DRUGS / ALCOHOL 9 - OTHER / UNKNOWN	1 - NONE 2 - BLOOD 3 - URINE 4 - BREATH 5 - OTHER
SAFETY EQUIPMENT		TRAPPED	GENDER			DRUG TEST TYPE
1 - NONE USED 2 - SHOULDER BELT ONLY USED 3 - LAP BELT ONLY USED 4 - SHOULDER & LAP BELT USED 5 - CHILD RESTRAINT SYSTEM - FORWARD FACING 6 - CHILD RESTRAINT SYSTEM - REAR FACING 7 - BOOSTER SEAT 8 - HELMET USED 9 - PROTECTIVE PADS USED (ELBOWS, KNEES, ETC) 10 - REFLECTIVE CLOTHING 11 - LIGHTING - PEDESTRIAN / BICYCLE ONLY 99 - OTHER / UNKNOWN		1 - NOT TRAPPED 2 - EXTRICATED BY MECHANICAL MEANS 3 - FREED BY NON-MECHANICAL MEANS	F - FEMALE M - MALE U - OTHER / UNKNOWN			DRUG TEST RESULT(S)
						1 - NONE 2 - BLOOD 3 - URINE 4 - OTHER
						1 - AMPHETAMINES 2 - BARBITURATES 3 - BENZODIAZEPINES 4 - CANNABINOIDS 5 - COCAINE 6 - OPIATES / OPIOIDS 7 - OTHER 8 - NEGATIVE RESULTS

OCCUPANT / WITNESS ADDENDUM

LOCAL REPORT NUMBER
49-0013-49

OCCUPANT	UNIT #	NAME: LAST, FIRST, MIDDLE			DATE OF BIRTH	AGE	GENDER		
	ADDRESS: STREET, CITY, STATE, ZIP				CONTACT PHONE - INCLUDE AREA CODE				
INJURIES	INJURED TAKEN BY	EMS AGENCY (NAME)	INJURED TAKEN TO: MEDICAL FACILITY (NAME, CITY)	SAFETY EQUIPMENT	<input type="checkbox"/> DOT-COMPLIANT MC HELMET	SEATING POSITION	AIR BAG USAGE	EJECTION	TRAPPED

OCCUPANT	UNIT #	NAME: LAST, FIRST, MIDDLE			DATE OF BIRTH	AGE	GENDER		
	ADDRESS: STREET, CITY, STATE, ZIP				CONTACT PHONE - INCLUDE AREA CODE				
INJURIES	INJURED TAKEN BY	EMS AGENCY (NAME)	INJURED TAKEN TO: MEDICAL FACILITY (NAME, CITY)	SAFETY EQUIPMENT	<input type="checkbox"/> DOT-COMPLIANT MC HELMET	SEATING POSITION	AIR BAG USAGE	EJECTION	TRAPPED

OCCUPANT	UNIT #	NAME: LAST, FIRST, MIDDLE			DATE OF BIRTH	AGE	GENDER		
	ADDRESS: STREET, CITY, STATE, ZIP				CONTACT PHONE - INCLUDE AREA CODE				
INJURIES	INJURED TAKEN BY	EMS AGENCY (NAME)	INJURED TAKEN TO: MEDICAL FACILITY (NAME, CITY)	SAFETY EQUIPMENT	<input type="checkbox"/> DOT-COMPLIANT MC HELMET	SEATING POSITION	AIR BAG USAGE	EJECTION	TRAPPED

OCCUPANT	UNIT #	NAME: LAST, FIRST, MIDDLE			DATE OF BIRTH	AGE	GENDER		
	ADDRESS: STREET, CITY, STATE, ZIP				CONTACT PHONE - INCLUDE AREA CODE				
INJURIES	INJURED TAKEN BY	EMS AGENCY (NAME)	INJURED TAKEN TO: MEDICAL FACILITY (NAME, CITY)	SAFETY EQUIPMENT	<input type="checkbox"/> DOT-COMPLIANT MC HELMET	SEATING POSITION	AIR BAG USAGE	EJECTION	TRAPPED

INJURIES	SAFETY EQUIPMENT USED	SEATING POSITION	AIR BAG USAGE
1 - FATAL	1 - NONE USED - VEHICLE OCCUPANT	1 - FRONT - LEFT SIDE (MOTORCYCLE DRIVER)	1 - NOT DEPLOYED
2 - SUSPECTED SERIOUS INJURY	2 - SHOULDER BELT ONLY USED	2 - FRONT - MIDDLE	2 - DEPLOYED FRONT
3 - SUSPECTED MINOR INJURY	3 - LAP BELT ONLY USED	3 - FRONT - RIGHT SIDE	3 - DEPLOYED SIDE
4 - POSSIBLE INJURY	4 - SHOULDER & LAP BELT USED	4 - SECOND - LEFT SIDE (MOTORCYCLE PASSENGER)	4 - DEPLOYED BOTH FRONT/SIDE
5 - NO APPARENT INJURY	5 - CHILD RESTRAINT SYSTEM - FORWARD FACING	5 - SECOND - MIDDLE	5 - NOT APPLICABLE
	6 - CHILD RESTRAINT SYSTEM - REAR FACING	6 - SECOND - RIGHT SIDE	9 - DEPLOYMENT UNKNOWN
	7 - BOOSTER SEAT	7 - THIRD - LEFT SIDE (MOTORCYCLE SIDE CAR)	EJECTION
	8 - HELMET USED	8 - THIRD - MIDDLE	1 - NOT EJECTED
	9 - PROTECTIVE PADS USED (ELBOWS, KNEES, ETC)	9 - THIRD - RIGHT SIDE	2 - PARTIALLY EJECTED
	10 - REFLECTIVE CLOTHING	10 - SLEEPER SECTION OF TRUCK CAB	3 - TOTALLY EJECTED
	11 - LIGHTING - PEDESTRIAN / BICYCLE ONLY	11 - PASSENGER IN OTHER ENCLOSED CARGO AREA (NON-TRAILING UNIT SUCH AS A BUS, PICK-UP WITH CAP)	4 - NOT APPLICABLE
	99 - OTHER / UNKNOWN	12 - PASSENGER IN UNENCLOSED CARGO AREA	TRAPPED
		13 - TRAILING UNIT	1 - NOT TRAPPED
		14 - RIDING ON VEHICLE EXTERIOR (NON-TRAILING UNIT)	2 - EXTRICATED BY MECHANICAL MEANS
		15 - NON-MOTORIST	3 - FREED BY NON-MECHANICAL MEANS
		99 - OTHER / UNKNOWN	

WITNESS	NAME: LAST, FIRST, MIDDLE	DATE OF BIRTH	AGE	GENDER
	DARLINGTON, ASHTON	07/14/2005	18	M
ADDRESS: STREET, CITY, STATE, ZIP		CONTACT PHONE - INCLUDE AREA CODE		
799 DOZER DRIVE, WEST JEFFERSON, OH, 43162				

WITNESS	NAME: LAST, FIRST, MIDDLE	DATE OF BIRTH	AGE	GENDER
	STEPHENS, JASON	03/26/1978	45	M
ADDRESS: STREET, CITY, STATE, ZIP		CONTACT PHONE - INCLUDE AREA CODE		
189 LILLY CHAPEL ROAD, WEST JEFFERSON, OH, 43162				

WITNESS	NAME: LAST, FIRST, MIDDLE	DATE OF BIRTH	AGE	GENDER
ADDRESS: STREET, CITY, STATE, ZIP		CONTACT PHONE - INCLUDE AREA CODE		