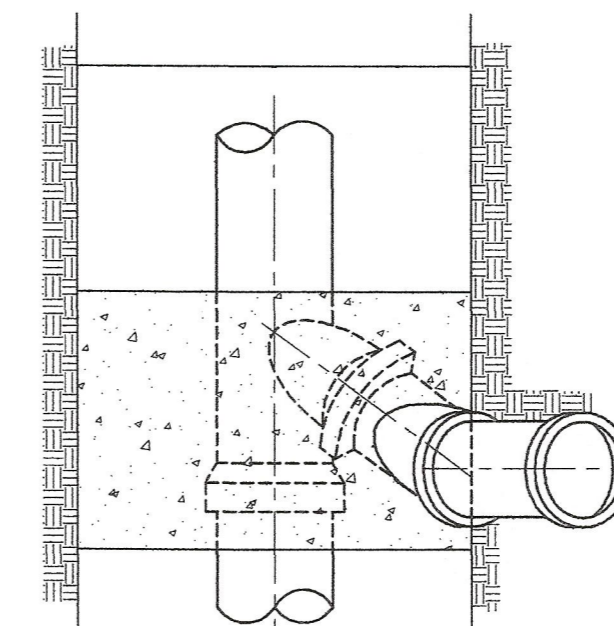
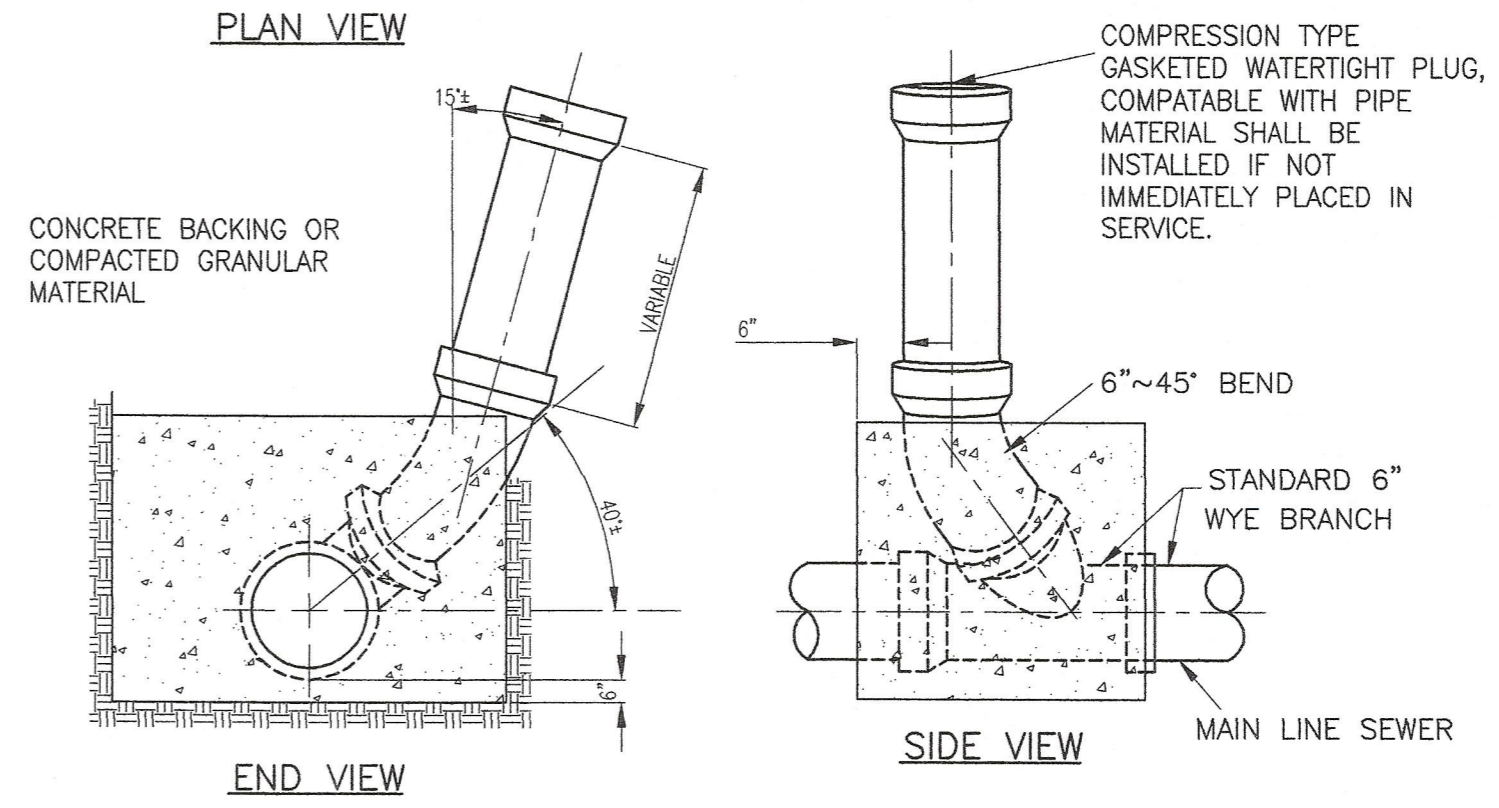


- NOTES:
1. TRENCH DAMS ARE REQUIRED AND SHALL BE CONSTRUCTED TO 36" OVER THE PIPE.
  2. SANITARY HOUSE CONNECTION SERVICE SHALL BE CONNECTED TO THE EXISTING SEWER WITH THE SAME MATERIAL FITTING OR WITH A COMPATIBLE ADAPTOR, AS APPROVED BY THE COUNTY.
  3. WHEN A WYE BRANCH IS NOT AVAILABLE IN THE MAIN LINE SEWER, THE MAINLINE MAY BE TAPPED AS SHOWN ON STANDARD DWG. Sa.S.-8 OR AS APPROVED BY THE COUNTY.
  4. NO TAP SHALL BE MADE INTO ANY SANITARY SEWER UNTIL ALL PERMITS HAVE BEEN OBTAINED, ALL FEES PAID AND THE COUNTY NOTIFIED FORTY-EIGHT (48) HOURS PRIOR TO BEGINNING WORK.

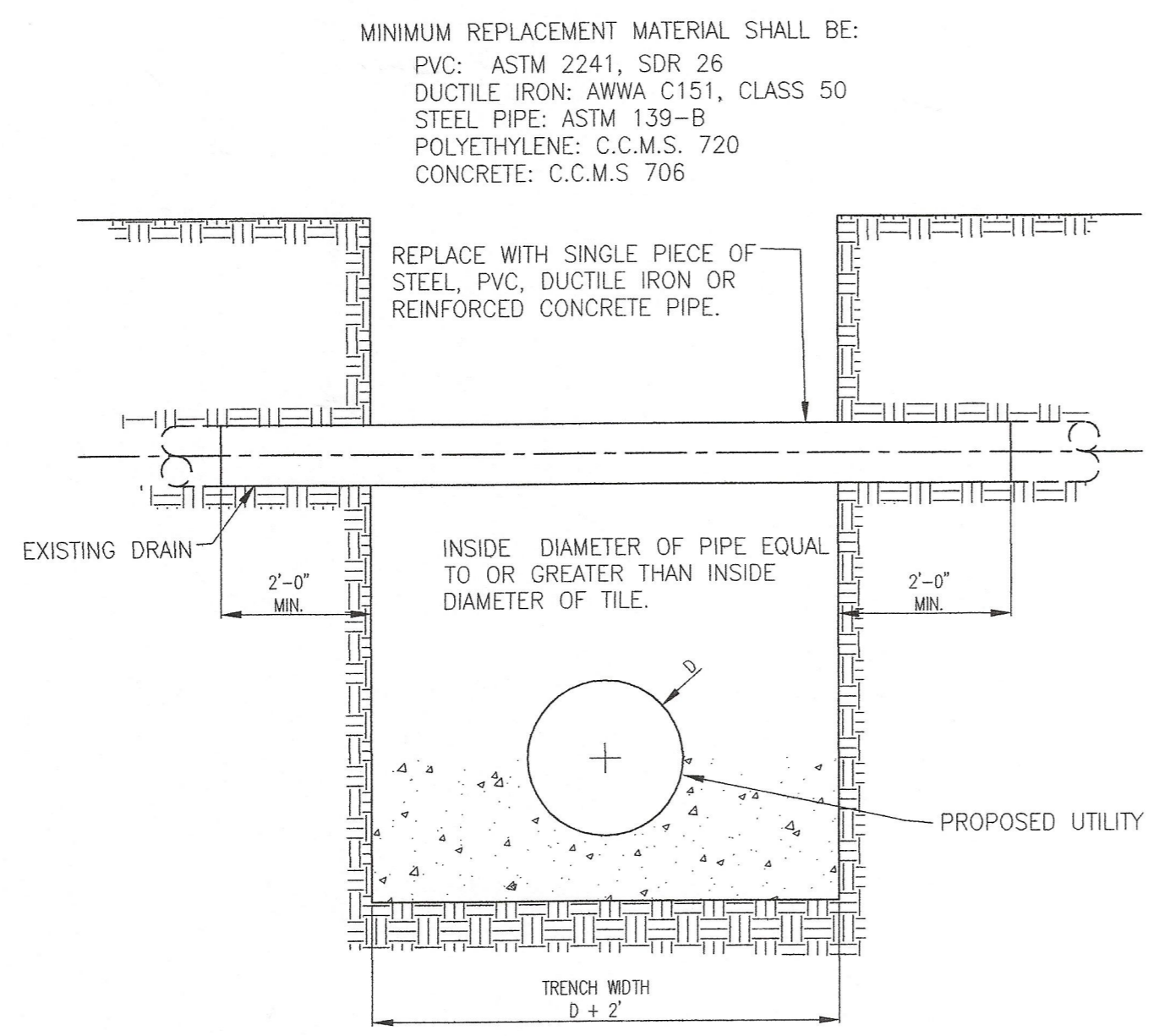
1 6" SANITARY SEWER SERVICE  
SCALE: NONE



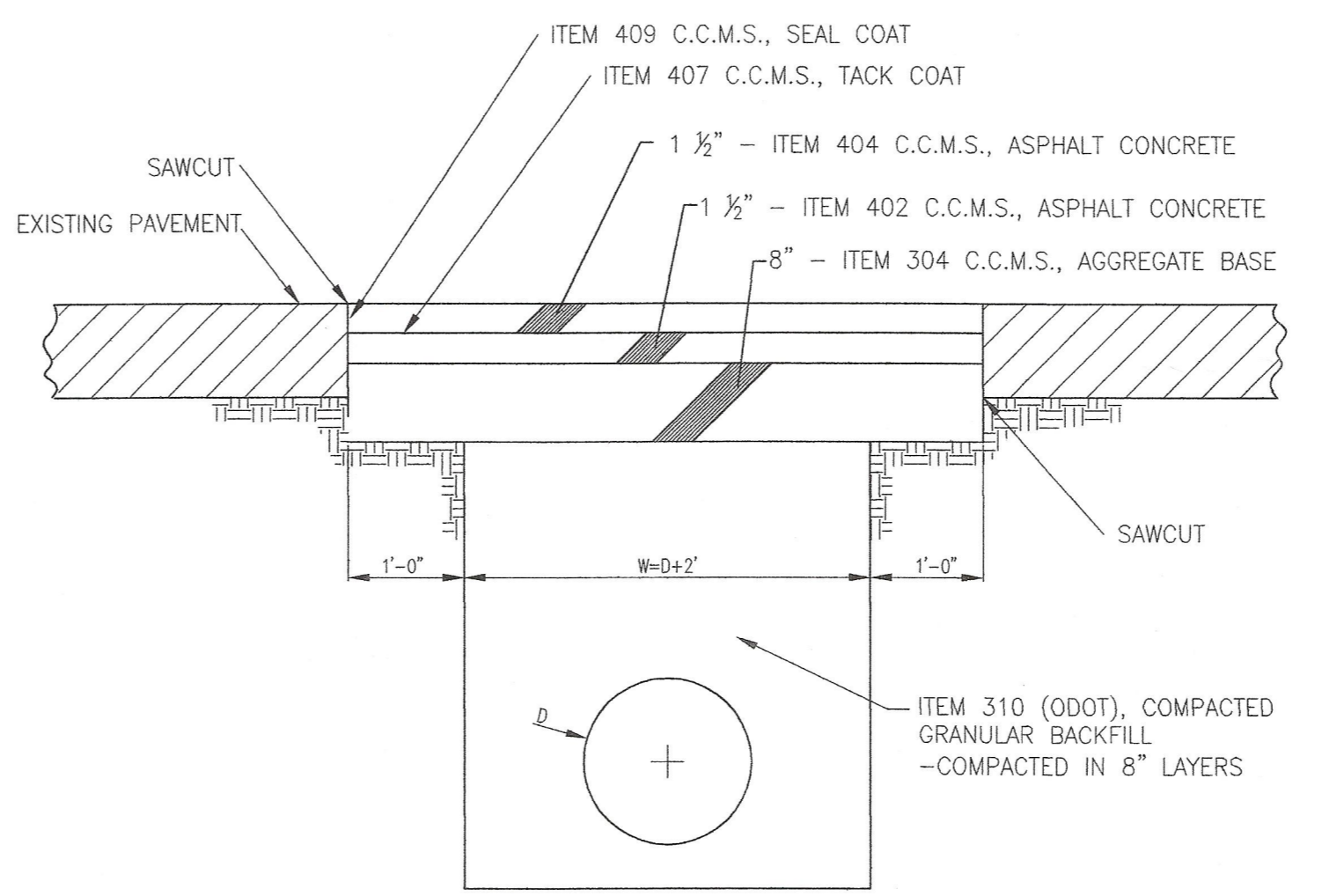
- NOTES:
1. FOR WYE BRANCH INSTALLATION, SEE STANDARD DRAWING SAN 9.
  2. CONCRETE BACKING SHALL BE USED ONLY WITH NON-REINFORCED CONCRETE OR REINFORCED CONCRETE PIPE. COMPACTED GRANULAR MATERIAL SHALL BE USED ON ALL OTHER PIPE MATERIAL. AGGREGATE SHALL BE MATERIAL SUITABLE FOR CLASS B BEDDING.
  3. ONLY 22 1/2" AND 45" BENDS ARE PERMITTED ON RISERS AND SERVICE CONNECTIONS.



2 TYP. RISER DETAIL  
SCALE: NONE



3 DRAIN TILE REPLACEMENT  
SCALE: NONE



MAXIMUM PAY WIDTH IS TRENCH WIDTH (W) PLUS 2'-0". TRENCH WIDTH IS MEASURED 12" ABOVE THE TOP OF THE PIPE. TRENCH WIDTH MAY BE WIDER ABOVE THIS LINE BUT PAY WIDTH WILL NOT EXCEED W+2'-0".

4 PERMANENT PAVEMENT REPLACEMENT  
SCALE: NONE -TWP. ROADS ASPHALT, CHIP & SEAL

NOTE: C.C.M.S. REFERS TO THE CURRENT CITY OF COLUMBUS CONSTRUCTION AND MATERIAL SPECIFICATIONS

2 WORKING DAYS  
BEFORE YOU DIG  
CALL TOLL FREE 800-362-2764  
OHIO UTILITIES PROTECTION SERVICE

**SANDS DECKER LTD.**  
ENGINEERS PLANNERS  
WWW.SANDSDECKER.COM  
4588 Kenny Road  
Columbus, Ohio 43220  
614 - 538 - 8560  
Fax: 614 - 538 - 8561

SCALE:  
AS NOTED

REVISIONS:  
  
PROJECT #: 1156