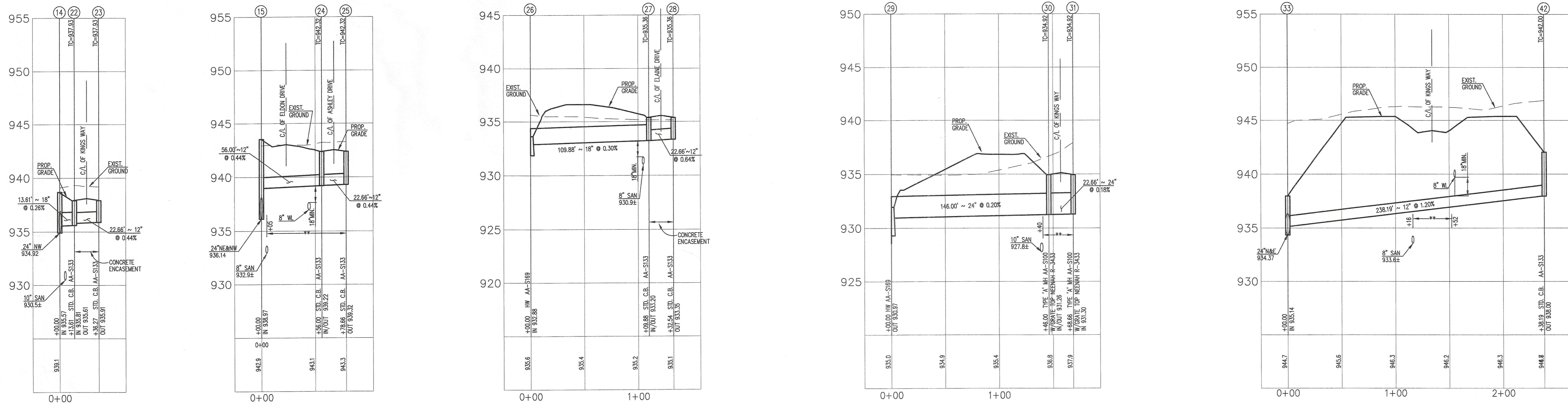


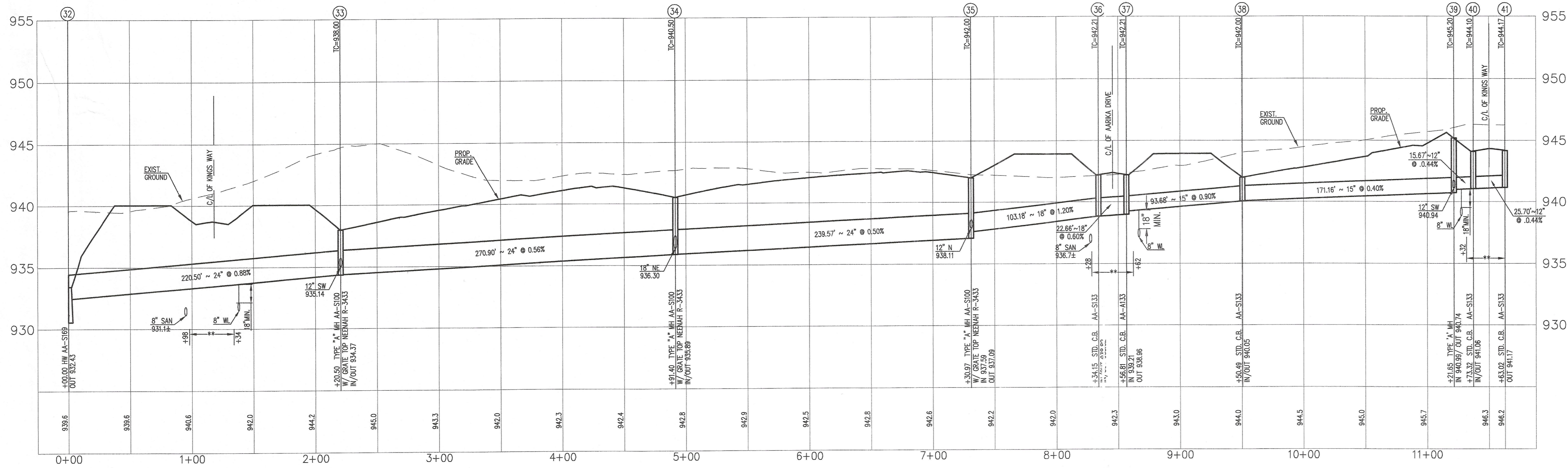
RichMir
Private Adult Community, Village of West
Jefferson, Madison County, Ohio
Street, Storm & Water

STORM SEWER PROFILES

2 WORKING DAYS
BEFORE YOU DIG
CALL TOLL FREE 800-382-2764
GHD UTILITIES PROTECTION SERVICE



** = COMPACTED
GRANULAR BACKFILL



SANDS DECKER LTD.
ENGINEERS PLANNERS
WWW.SANDSDECKER.COM
4588 Kenny Road
Columbus, Ohio 43220
614 - 538 - 8560
Fax: 614 - 538 - 8561

SCALE:
HORZ. 1" = 50'
VERT. 1" = 10'

REVISIONS:

PROJECT #: 1156